



## PRODUCT INTRODUCTION:

# VECTOR™ T3 HANDLE

THE IDEAL LATCH FOR THE TRANSPORTATION INDUSTRY.



## VECTOR T3 – COMBINES FUNCTION & STYLE

The **Vector™ T3** is a central locking compression handle with a flush design, offering top-notch strength without sacrificing on style. The handle creates 4 mm of compression to keep out water and dust, and four blind-mount studs ensure simple, waterproof assembly. The electronic version connects with a digital interface to provide remote feedback if the T-bar handle is open or closed and if the handle is locked or unlocked. In the event of power failure, the covered key cylinder provides a mechanical override feature.



## DISTINGUISHING FEATURES

- Ease of installation & use
- Reliable compression
- Fiberglass reinforced polyamide (PA6GF30)
- Vibration-resistant as per DIN EN 61373
- Sealed as per IP65
- 1, 2 & 3-point latching available
- Power requirements 12VDC/2A or 24VDC/2A
- Lock/unlock by reverse polarity (impulse length 0.3 to 1.0 s)
- Compatible with Central Locking System box

### TECHNICAL SPECIFICATION

Operating Voltage	2 models. 12 or 24V DC ± 10%
Supply Current (Lock/Unlock Operation)	max 2A
Handle status sensor	max 30V, 500mA, 10W total
Lock status sensor	max 30V, 500mA
EMC Standards	UN ECE R10
Operating temperature	-15 to +55 °C
Operating cycles	min 15,000 cycles
Maximum tightening torque (4 nuts, M5)	2,2 Nm

## INDUSTRY EXPERTISE

For more than 50 years, Allegis engineers have been serving manufacturers in more than a dozen industries where gaining access is absolutely critical. We understand exactly what manufacturers face in designing a product for their customers. We specialize in the following industries:

- HVAC Enclosures
- Construction Equipment
- Agriculture Equipment
- Enclosures and Storage Units
- Electrical Enclosures
- Telecommunications
- Power Generation
- Kiosks and Carts
- Mass Transportation (trucks, buses, RVs, etc.)
- Emergency Vehicles
- Powersports (snowmobiles, boats, ATVs, motorcycles, etc.)
- Work and Service Vehicles, Trailers, and Equipment

TO GAIN ACCESS TO THE BEST PEOPLE IN ACCESS COMPONENTS

— ALLEGISCORP.COM • 866.378.7550 —

OR EMAIL US AT ACCESSBETTERTHINKING@ALLEGISCORP.COM



**NEW PRODUCT PROFILE:**

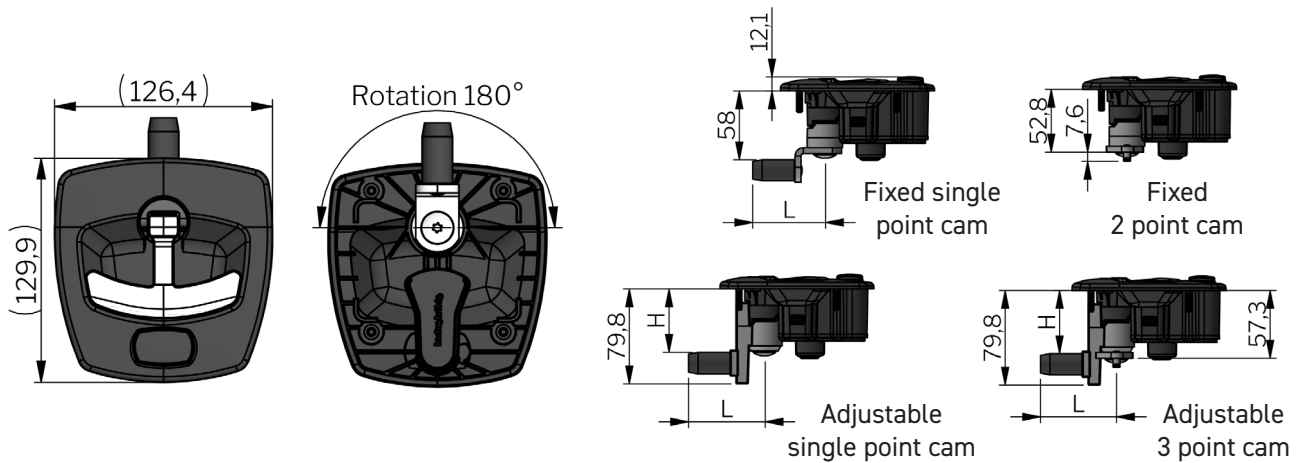
# VECTOR T3 – CENTRAL LOCKING AND MECHANICAL



## HEAVY-DUTY STYLE

Designed to withstand the stresses of demanding use with excellent tactile feedback and style.

PART #	MATERIAL / FINISH	TYPE	LOCKING	OPEN ROTATION	LATCHING CAM	DUST COVER	SIGNAL
2752-20623010-04	Black Zinc die cast w/ Chrome handle	Central locking 12 V	Keyed alike 751	180°	3 pt adjustable cam	No	No Signal
2752-20623011-04	Black Zinc die cast w/ Chrome handle	Central locking 12 V	Keyed alike 751	90° clockwise	3 pt adjustable cam	Yes	No Signal
2752-20623012-04	Black Zinc die cast w/ Chrome handle	Central locking 12 V	Keyed alike 751	90° counter clockwise	3 pt adjustable cam	Yes	No Signal
2752-20623212-04	Black Zinc die cast w/ Chrome handle	Central locking 12 V	Keyed alike 751	90° counter clockwise	3 pt adjustable cam	Yes	Open/Close
2752-20623010-06	Black Zinc die cast w/ Chrome handle	Central locking 12 V	Keyed alike 751	180°		Yes	No Signal-
2752-20623012-06	Black Zinc die cast w/ Chrome handle	Central locking 12 V	Keyed alike 751	90° counter clockwise		Yes	No Signal-
2752-10623110-01	Black Zinc die cast w/ Chrome handle	Mechanical	Keyed alike 751	180°	Fixed roller cam	Yes	-
2752-10623110-05	Black Zinc die cast w/ Chrome handle	Mechanical	Keyed alike 751	180°	Single-point adjustable cam	Yes	-
P1562-ALG-01	Central Locking System box		Compatible Lock / Unlock Controller				
P1562-ALG-02	Central Locking System box		Compatible Lock / Unlock Controller with Inputs				



## THE TRUSTED NAME ON THE ROAD

The Vector™ family of latches, handles, and accessories was designed to provide the excellent performance and durability required by the transportation industry. You can rely on Allegis' team of experts to recommend the right component from our extensive selection based on an understanding of your needs. Because when you choose Allegis, you're not just buying access components. You're buying access to the best people in access components.

For additional insight and answers about our Vector, Klima-Flex, Vision systems, or other access components, contact us at [AccessBetterThinking@allegiscorp.com](mailto:AccessBetterThinking@allegiscorp.com).

TO GAIN ACCESS TO THE BEST PEOPLE IN ACCESS COMPONENTS

— **ALLEGISCORP.COM • 866.378.7550** —

OR EMAIL US AT [ACCESSBETTERTHINKING@ALLEGISCORP.COM](mailto:ACCESSBETTERTHINKING@ALLEGISCORP.COM)

