



ALLEGIS
CORPORATION

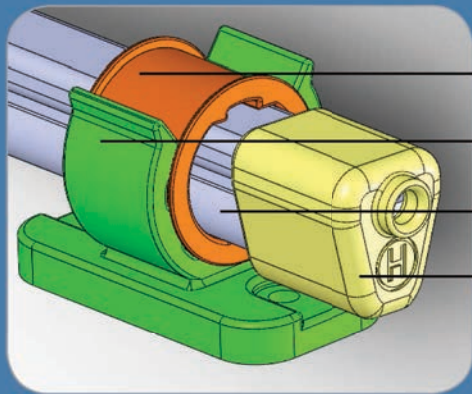
Grab Rail, Hand Rail, and Lighting Systems



The Brilliant White® LED Lighting Systems

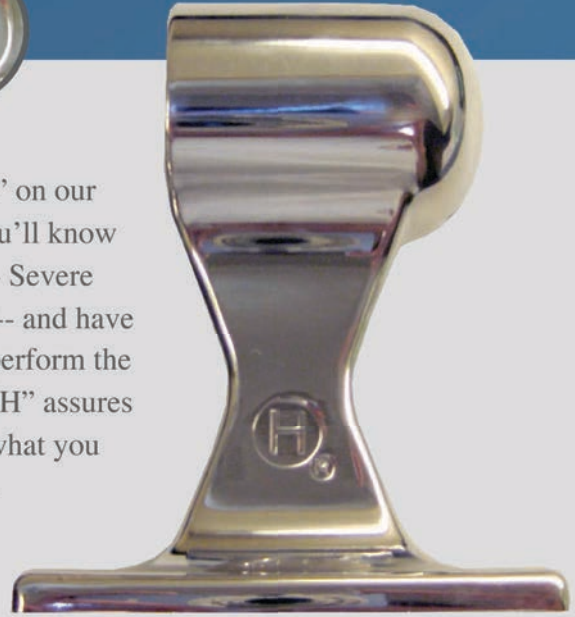
Description	Part #	Length (inches)
12V,120 Lumens, 2 mounting clips, 24" coated wires	LED10WH12V-09	9
12V,120 Lumens, 2 mounting clips, 24" coated wires	LED10WH12V-18	18
12V,120 Lumens, 3 mounting clips, 24" coated wires	LED10WH12V-25	25
12V,120 Lumens, 3 mounting clips, 24" coated wires	LED10WH12V-30	30
12V,120 Lumens, 4 mounting clips, 24" coated wires	LED10WH12V-37	37
12V,120 Lumens, 5 mounting clips, 24" coated wires	LED10WH12V-49	49
12V,120 Lumens, 5 mounting clips, 24" coated wires	LED10WH12V-54	54
12V,120 Lumens, 6 mounting clips, 24" coated wires	LED10WH12V-65	65

Description	Part #	Length (inches)
24V,120 Lumens, 2 mounting clips, 24" coated wires	LED10WH24V-09	9
24V,120 Lumens, 2 mounting clips, 24" coated wires	LED10WH24V-18	18
24V,120 Lumens, 3 mounting clips, 24" coated wires	LED10WH24V-25	25
24V,120 Lumens, 3 mounting clips, 24" coated wires	LED10WH24V-30	30
24V,120 Lumens, 4 mounting clips, 24" coated wires	LED10WH24V-37	37
24V,120 Lumens, 5 mounting clips, 24" coated wires	LED10WH24V-49	49
24V,120 Lumens, 5 mounting clips, 24" coated wires	LED10WH24V-54	54
24V,120 Lumens, 6 mounting clips, 24" coated wires	LED10WH24V-65	65



- Custom indexing clip
- Mounting bracket
- "H" Brilliant White® LED Module
- "H" end block with 24 inch coated lead wires

Look for the



Look for the “H” on our stanchions and you’ll know they meet SC3-- Severe Service Conditions-- and have been tested to out perform the competition. The “H” assures you are buying what you ordered.

Stanchions

Stanchions

No Rivet Part#

End Stanchions	4000-T1 CH
End Stanchions with Rivet	4000-T1 RT CH
Offset End Stanchions RH	4000-T1 30 RH
Offset End Stanchions LH	4000-T1 30 LH
Center Stanchions	4000-T2 CH



End Stanchion

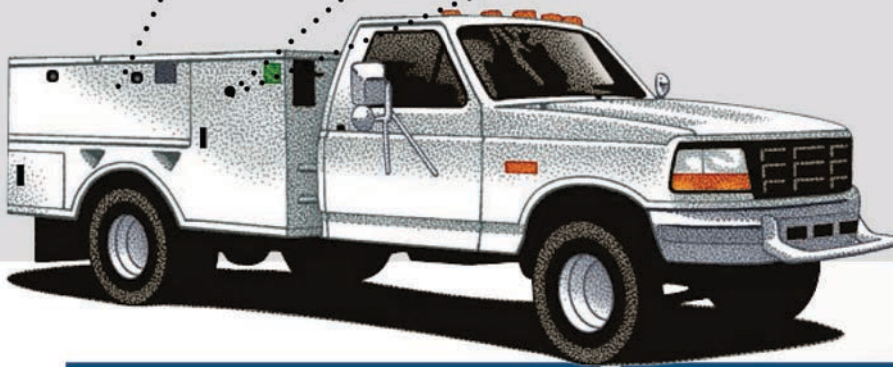


Center Stanchion



Offset Center Stanchion

Compartment Lighting



Features and Benefits

- Standard 12 Volt LED
- Shock and vibration resistant
- Rugged solid state design
- 12V rated life: 50,000 hours
- Waterproof to IP66 rating
- Exceeds compartment lighting requirements of NFPA 1901 standard 2009
- Easy to install or replace with snap-in feature
- 12V 120 lumens per foot of LED lights
- Standard Bright White
- Mounting clips have indexing feature allowing up to 3 fixed angle positions
- Manufactured in the USA
- Custom lengths are available
- 24" pig tail with 20 gauge automotive wire
- Tough polycarbonate tube enclosure that protects the LED circuit board
- Impact tested to over 50 lbs.
- 3 year limited warranty
- Easy connectability

Uses Include

- Compartment Lighting
- Operator Illumination
- Step Lighting
- Marine Applications
- Vehicle Cabs

Markets

- Fire and Emergency
- Utility
- Step Vans
- Specialty Bodies
- Truck
- RV
- Tool Box
- Electrical Enclosures

Options Available

- Rubber Boot Pin Switch
- LED Light Colors; Red, Blue, Green & Yellow
- Custom Lengths are Available
- 24 Volt LED
- 48 Volt LED

Premium Grabs and Rails

NFPA 1901 Compliant

Stainless Steel

	Part#	Length	
A	3/4" SS Formed & Knurled Handles	HLK6SS14	14"
	3/4" SS Formed & Knurled Handles	HLK6SS18	18"
	3/4" SS Formed & Knurled Handles	HLK6SS24	24"
	3/4" SS Formed & Knurled Handles	HLK6SS30	30"
B	1 1/8" SS Formed & Knurled Handles	HLK9SS18	18"
	1 1/8" SS Formed & Knurled Handles	HLK9SS24	24"
	1 1/8" SS Formed & Knurled Handles	HLK9SS30	30"



A, B, D, F
Patented

Aluminum

	Part#	Length	
D	3/4" Solid Alum Formed & Knurled Handles	HLK6AL14	14"
	3/4" Solid Alum Formed & Knurled Handles	HLK6AL18	18"
	3/4" Solid Alum Formed & Knurled Handles	HLK6AL24	24"
	3/4" Solid Alum Formed & Knurled Handles	HLK6AL30	30"
E	1 1/8" Alum. Formed Single Rubber Handles	HLR9AL18	18"
	1 1/8" Alum. Formed Single Rubber Handles	HLR9AL24	24"
	1 1/8" Alum. Formed Single Rubber Handles	HLR9AL30	30"
F	1 1/8" Alum. Formed and Knurled Handles	HLK5AL18	18"
	1 1/8" Alum. Formed and Knurled Handles	HLK5AL24	24"
	1 1/8" Alum. Formed and Knurled Handles	HLK5AL30	30"
H	1 1/4" 4000 Series Grab Rail 4' (3 Rubber Inserts)	4000-4 AL	4'
	1 1/4" 4000 Series Grab Rail 6' (3 Rubber Inserts)	4000-6 AL	6'
	1 1/4" 4000 Series Grab Rail 10' (3 Rubber Inserts)	4000-10 AL	10'
	1 1/4" 4000 Series Grab Rail 12' (3 Rubber Inserts)	4000-12 AL	12'



E
Patented



H
Patented

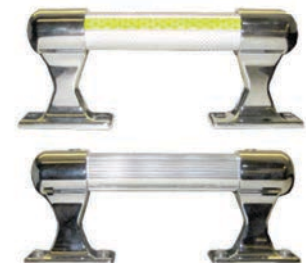
Pull Tested in Excess of 300 Lbs

Made in America

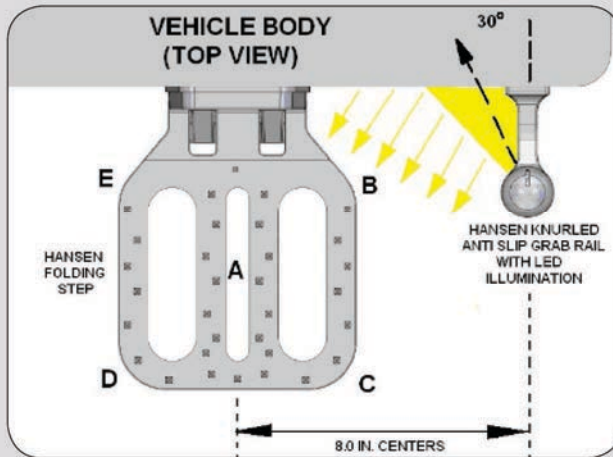
NEW! Patented!

This newly patented knurled grab rails meet NFPA1901 compliant reflective tape and anti-slip resistance are available in unlit and lit styles in custom sized lengths up to 12ft.

Available Colors: Yellow 18
Flourescent Lime L2
Red 12



Grab and Handrail Lighting Systems



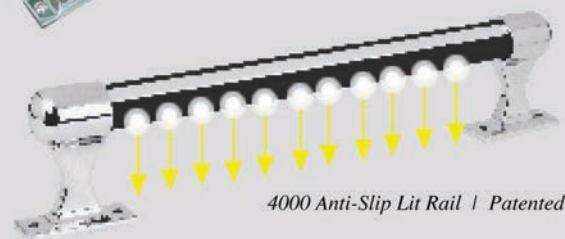
Position	Light Collected (foot candles)
A	5.47
B	16.8
C	2.43
D	2.93
E	10.3

The finest materials and robust design in this newly patented knurled lit grab rail.

- Newest innovation in safety
- Knurled rail for better grasp
- New LED lit strip provides NFPA lighting for steps
- NFPA 1901 Compliant
- Available in custom lengths up to 12ft
- Manufactured in America
- Patented
- Use with Hansen International SC3 stanchions
- Look for the “H” to assure you are buying what you ordered



Knurled Lit Rail | Patented



4000 Anti-Slip Lit Rail | Patented