



PRODUCT PROFILE:

VECTOR P SYSTEM – SLAM ACTION PADDLE LATCH

KEY FACTORS FOR MANUFACTURERS IN SELECTING HEAVY DUTY LATCHING SYSTEMS



FEATURED PRODUCT

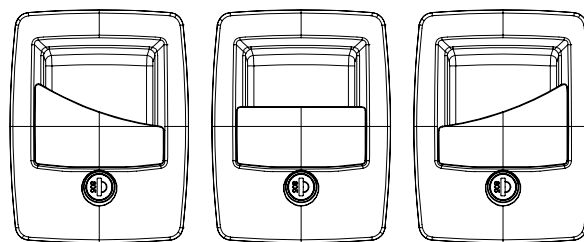
The **Vector™ P** is a newly developed Vector handle for slam latching. These slam action paddle latches are designed with a unique grip handle available as a LEFT, RIGHT or UNIVERSAL handle that is assembled into your door with either a mounting bracket or with four molded-in studs providing a completely blind mount assembly.



Vector™ P

WIDE RANGE OF LATCHING SYSTEMS

Vector™ P product line is designed for heavy duty use in tough environments, for on- and off-road applications. This latching system is available with four different latching mechanisms to meet your requirements exactly; hooked cam, 2-point release, sliding cam, or rotary latch. A valuable component of this product is the light weight fiber glass reinforced polyamide used for the tray and handle, which is cost effective compared to traditional all stainless steel paddle latches. The unique contemporary design with great ergonomic characteristics is also a bonus on all of our **Vector-P™** handles.



APPLYING OUR INDUSTRY EXPERTISE

For 50 years, Allegis engineers have served manufacturers worldwide who build products where gaining access is absolutely critical. Allegis is the world expert in supplying access hardware that secures and protects enclosures for work and service vehicles, heavy equipment, HVAC, telecommunications and electrical cabinets, power generation and more. We work closely with trusted hardware suppliers – relationships built over decades – to deliver more effective and cost-efficient solutions that create a better product experience for the end-user. We specialize in the following industries:

- HVAC
- Construction
- Agriculture
- Enclosures and Storage Units
- Electrical Enclosures
- Telecommunications Enclosures
- Power Generation
- Kiosks and Carts
- Transportation (trucks, buses, RVs)
- Heavy Equipment
- Powersports (snowmobiles, boats, ATVs, motorcycles, etc.)
- Work and Service Vehicles



**HOOKE
CAM**



**SLIDE
BOLT**



**2-POINT
CAM**



**ROTARY
CAM**

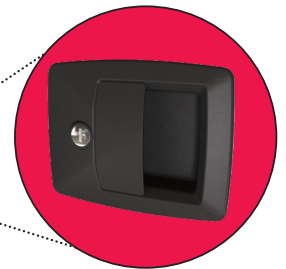
FACTORS IN SELECTING THE CORRECT SLAM LATCH

Designing a door for a compartment that needs a tight seal? Building a cabinet for a trailer or a rugged off road equipment that needs to be secured? Looking to improve the ergonomics of accessing a secured cabinet or compartment?

Consider these factors when selecting a type of latching system:

- All **Vector™ P** latches can be chosen either with mounting bracket or four moulded-in screws. Both options provide an aesthetic blind mount not visible from the outside.
- Available as left, universal or right version for best ergonomics and for design possibilities
- Same rectangular cut out for all **Vector-P™** latches
- Supplied with cylinder 805 with stainless steel (304) cap and dust shutter with two keys included
- Wire bale design of the striker (sold separately) offers less intrusion into the compartment
- Obtains IP65 with PUR-in-place gasket
- The light weight fiber glass reinforced polyamide used for tray and handle provide a robust handle with excellent corrosion resistance

Allegis application engineers work closely with a manufacturer's design engineers to develop various options to determine the best latching system.



CREATING A BETTER END PRODUCT

Ready to begin your next project? For answers about latching systems and other access hardware, contact Allegis. Let our application engineers help your organization think through options that will drive more value and a better product experience for the end-user.

CALL US AT 866.378.7550

VISIT ALLEGISCORP.COM

OR EMAIL US AT ACCESSBETTERTHINKING@ALLEGISCORP.COM

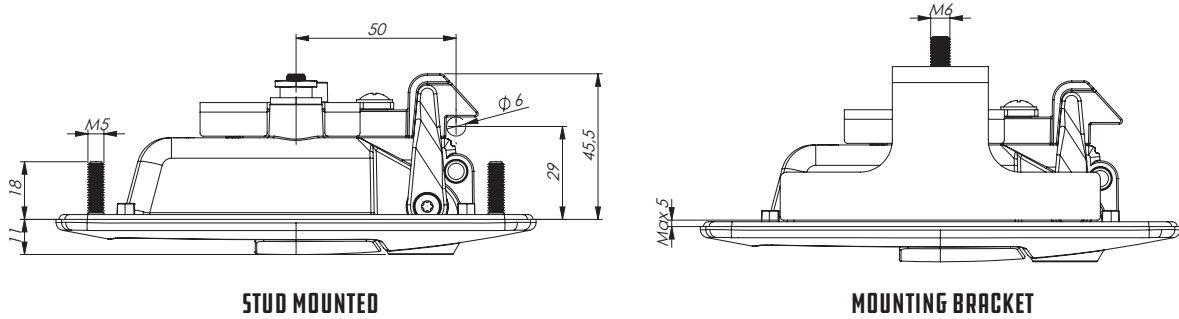


VECTOR-P SLIDE BOLT LATCHING SYSTEM

PART #	HANDLE	MOUNTING	LATCHING	LOCKING
2800-001010-0100	Universal	Stud Mounted	Slide Bolt	Key Locking
2800-002010-0100	Universal	Mounting Bracket	Slide Bolt	Key Locking
• 280021-009000	Universal	Striker		

* Striker sold separately

** Left and Right Handles available upon request

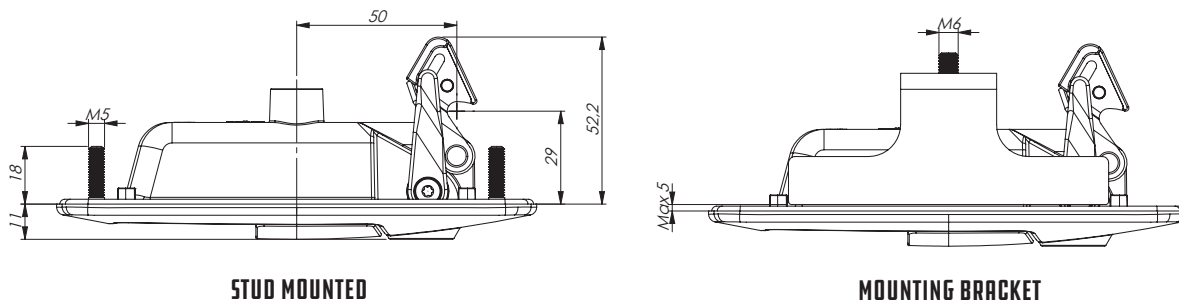


VECTOR-P HOOKED CAM LATCHING SYSTEM

PART #	HANDLE	MOUNTING	LATCHING	LOCKING
2800-001020-0100	Universal	Stud Mounted	Fixed Hook Cam	Key Locking
2800-001030-0100	Universal	Stud Mounted	Inside Release Hooked Cam	Key Locking
2800-002020-0100	Universal	Mounting Bracket	Fixed Hook Cam	Key Locking
2800-002030-0100	Universal	Mounting Bracket	Inside Release Hooked Cam	Key Locking
• 280021-009000	Universal	Striker		

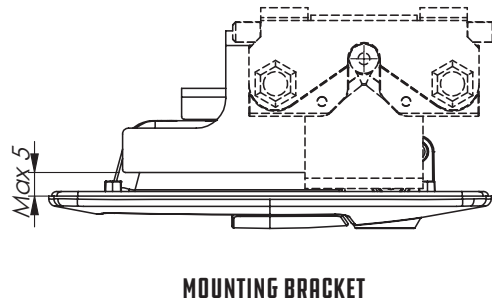
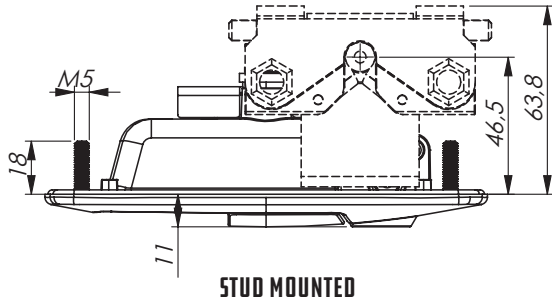
* Striker sold separately

** Left and Right Handles available upon request



VECTOR-P 2-POINT LATCHING SYSTEM

PART #	HANDLE	MOUNTING	LATCHING	LOCKING
2800-001040-0100	Universal	Stud Mounted	2-Point Slam Latch	Key Locking
2800-002040-0100	Universal	Mounting Bracket	2-Point Slam Latch	Key Locking



VECTOR-P ROTARY LATCHING SYSTEM

PART #	HANDLE	MOUNTING	LATCHING	LOCKING
2800-001050-0100	Universal	Stud Mounted	Integrated Rotary	Key Locking
2800-002050-0100	Universal	Mounting Bracket	Integrated Rotary	Key Locking
• 280021-009000	Universal	Striker		

* Striker sold separately

** Left and Right Handles available upon request

