



PRODUCT INTRODUCTION:

KLIMAFLEX STAINLESS STEEL HANDLE

THE NEWEST HANDLE FROM KLIMAFLEX



WORLDWIDE ACCESS EXPERTS

You can't go wrong with **Klimaflex™** HVAC components. Each offers industry-leading quality, durability and performance. Klimaflex makes handles, latches, hinges, and accessories for insulated doors used in HVAC and refrigeration. If you want to dial-in the performance, fit and functionality of your complete access system, talk to us first. We'll assess the intended application and make recommendations that best suit your needs. Because when you choose Allegis, you're not just buying access components. You're buying access to the best people in access components.

FEATURED PRODUCT

Introducing the best looking member of the **Klimaflex™** family; the new Stainless Steel latching system. The handle is cast from 316 Stainless Steel. This handle offers a corrosion resistant solution for the harshest of environments. Suitable for off and near shore applications, pharmaceutical, chemical processing, and situations where wash-downs are required. The latch uses the same hole preparation as other members of the K1 family and is available with an optional padlock hasp. Available for a variety of door thicknesses and can be accompanied by other SS interior components to yield a completely corrosion resistant latching system.



SPECIFICATIONS

Klimaflex™ is the industry leader, offering a variety of components that provide durability and performance.

- Handle material: Acid Proof 316 Stainless Steel
- Housing & latching: Acid Proof 316 Stainless Steel
- Panel thickness varies from 25mm - 100mm
- Non-Locking handle can be ordered separately and used with corrosion resistant latching units

TO GAIN ACCESS TO THE BEST PEOPLE IN ACCESS COMPONENTS

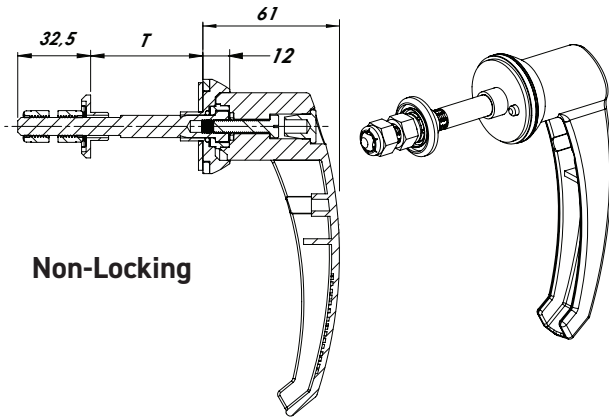
— **ALLEGISCORP.COM • 866.378.7550** —

OR EMAIL US AT ACCESSBETTERTHINKING@ALLEGISCORP.COM

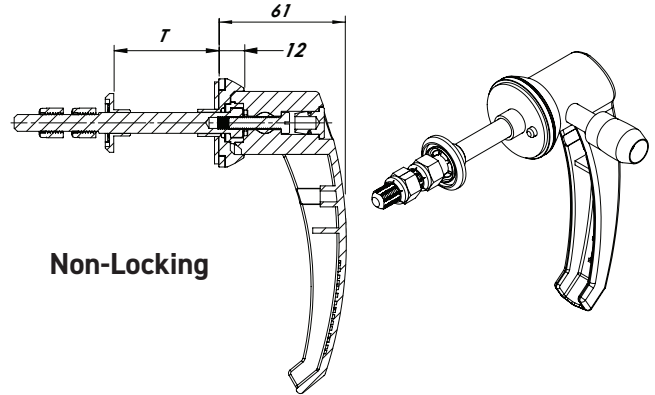


NEW PRODUCT PROFILE:

STAINLESS STEEL KLIMAFLEX HANDLE



Non-Locking



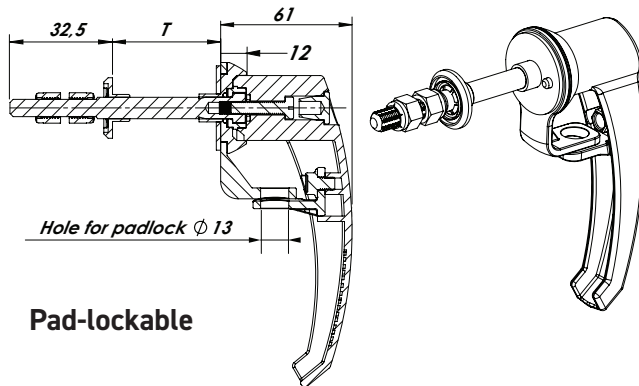
Non-Locking

OUT-SWING KLIMAFLEX™ SS 316 NON-LOCKING HANDLE

P/N	MATERIAL	PANEL THICKNESS = T
2690-00-G9-025	Acid Proof 316	25 mm
2690-00-G9-050	Acid Proof 316	50 mm
2690-00-G9-075	Acid Proof 316	75 mm
2690-00-G9-100	Acid Proof 316	100 mm
269076-00	Non-Locking Handle Only Latching Sold Separately	

IN-SWING KLIMAFLEX™ SS 316 NON-LOCKING HANDLE

P/N	MATERIAL	PANEL THICKNESS = T
2690-10-G9-025	Acid Proof 316	25 mm
2690-10-G9-050	Acid Proof 316	50 mm
2690-10-G9-075	Acid Proof 316	75 mm
2690-10-G9-100	Acid Proof 316	100 mm



Pad-lockable

KLIMAFLEX™ SS 316 PAD-LOCKABLE HANDLE

P/N	MATERIAL	PANEL THICKNESS = T
2690-60-G9-025	Acid Proof 316	25 mm
2690-60-G9-050	Acid Proof 316	50 mm
2690-60-G9-075	Acid Proof 316	75 mm
2690-60-G9-100	Acid Proof 316	100 mm

CREATING A BETTER END PRODUCT

Ready to begin your next project? For answers about Klimaflex, HVAC or any other access components, contact us at AccessBetterThinking@allegiscorp.com.

TO GAIN ACCESS TO THE BEST PEOPLE IN ACCESS COMPONENTS

— **ALLEGISCORP.COM • 866.378.7550** —

OR EMAIL US AT ACCESSBETTERTHINKING@ALLEGISCORP.COM

