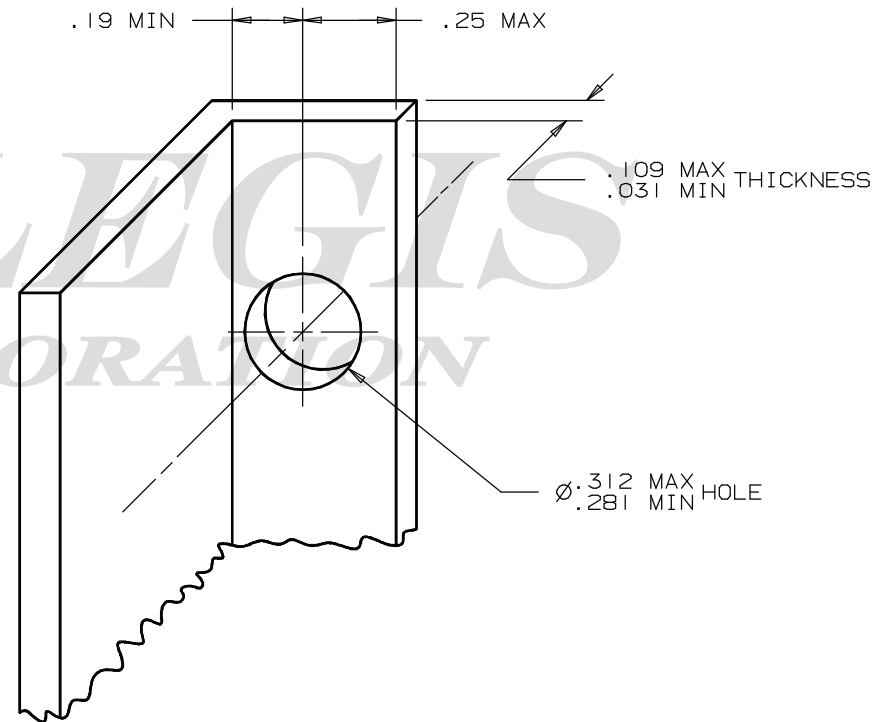


PANEL PREPARATIONS



**www.ALLEGISCORP.com**  
**1-866-378-7550**

MATERIAL / FINISH :  
 Steel w/ Zinc Immersion coating

REV. :  
 1 : 1

DATE :  
 5-1-2018

DESCRIPTION :  
 Receptacle

DRAWING NO. :  
 12-11050-27