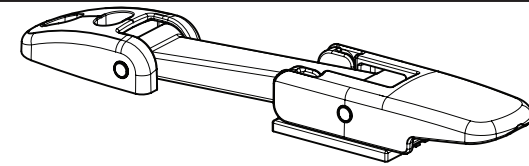
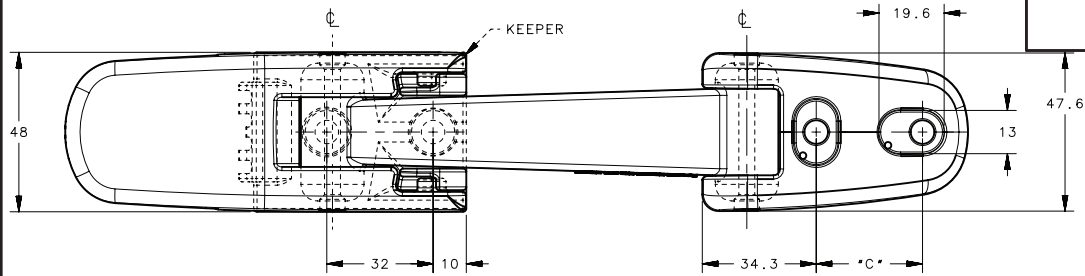
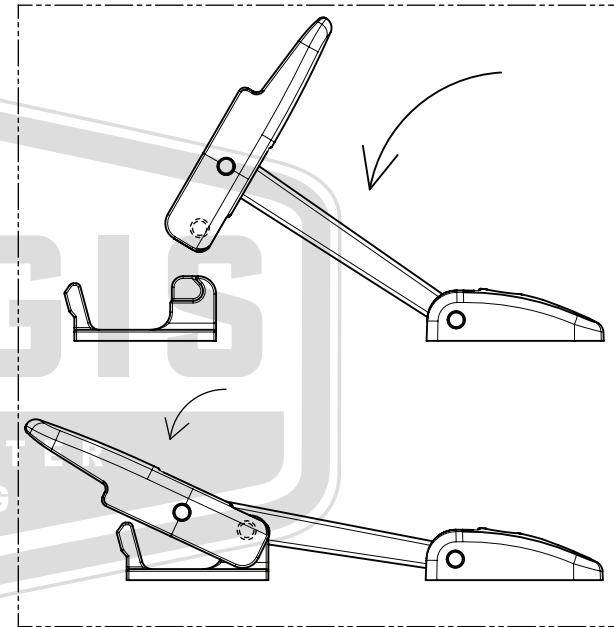
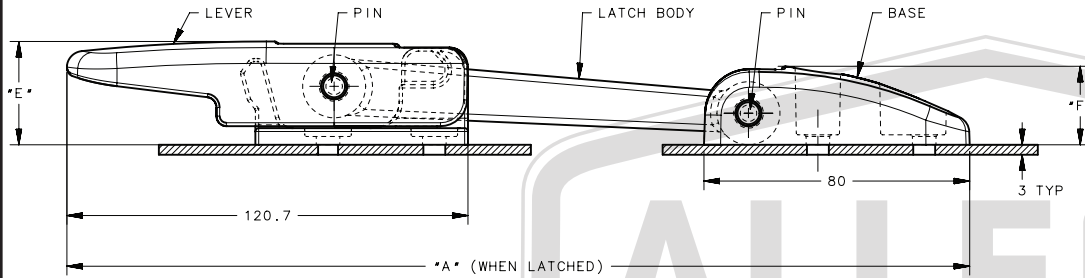


APPROVAL - CUSTOMER NAME & SIGNATURE

DATE

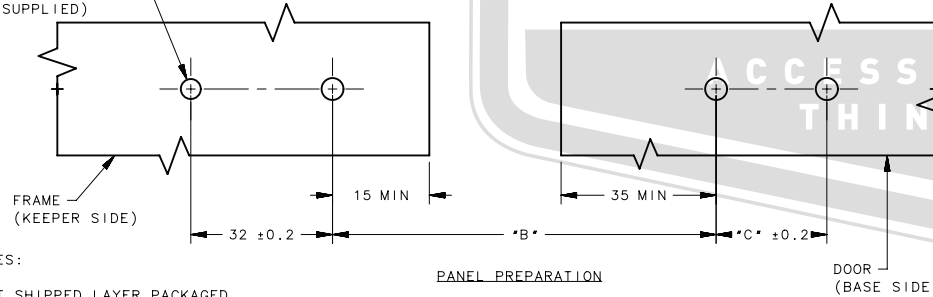


SCALE 1:2



LATCH OPERATION

(4X)  $\varnothing D \pm 0.1$   
USE M5 OR M6 PAN OR  
ROUND HEAD SCREWS  
(NOT SUPPLIED)



NOTES:

PART SHIPPED LAYER PACKAGED.  
FOR INDIVIDUAL BAGGED ASSEMBLIES ADD -2 TO PART NUMBER. (EXAMPLE: 37-30-294-60-2)

**MATERIAL AND FINISH:**

LATCH BODY: EPDM RUBBER, OR POLYURETHANE (305), BLACK  
LEVER, KEEPER, AND BASE: GLASS-FILLED NYLON, BLACK  
PIN: STAINLESS STEEL OR HARDENED STAINLESS STEEL (37-40-305-60 ONLY)

37-40-305-60	300	144±4	32	6.6	39.1	29
37-40-295-60	300	144±4	32	6.6	31.1	23.5
37-30-297-60	379	222±6	25.4	5.5	31.1	23.5
37-30-294-60	254	97±3	25.4	5.5	31.1	23.5
PART NUMBER	A	B	C	D	E	F

**ALLEGIS**

1-866-378-7550

MATERIAL:  
Glass filled Nylon,  
Rubber

DRAWING NO. :  
37-40-295-60

FINISH:  
Natural

REV.: 1:1

DATE:  
5/28/2019