

APPROVAL - CUSTOMER NAME & SIGNATURE

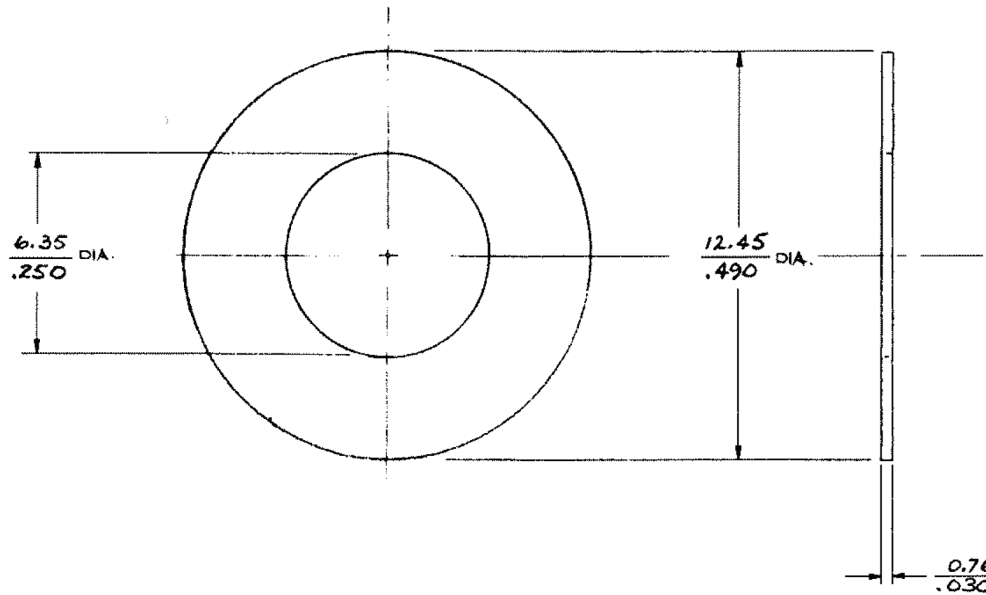
DATE



RETAINER

DATE	DRAWN	CHKD	SCALE	DRAWING NUMBER
10-8-79	ESK		N.T.S.	J-85-34-301

REV. LET.	DATE	BY-CHKD	REVISIONS	PART NO	MATERIAL	FINISH			
A	2882	NTF	PRN S 1 01	85-34-301-12	THERMOPLASTIC	BLACK			
B	12JAN93	JC	PRN: S - 1 - 03						



ALLEGIS		1-866-378-7550
MATERIAL: Plastic	DRAWING NO. : 85-34-301-12	
FINISH: Natural		
REV. : 1:1	DATE: 5/22/2019	