

SEALING
WASHER
.5 (.02)

Housing
Length

7 (.28)

O-RING

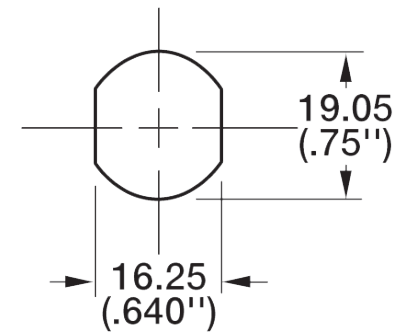
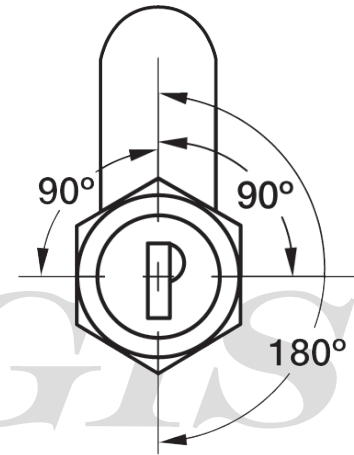
CAM GRIP

FRAME

Cam Forward

Straight

Cam Reversed



P/N	Housing Length Dimensions	
84	15.87	(.625")
85	22.22	(.875")
86	28.57	(1.125")
87	34.92	(1.375")

Key Codes

AC1 CH545
AC2 CH751
AC112 AC1250

www.ALLEGISCORP.com

1-866-378-7550

MATERIAL / FINISH :

Stainless Steel cap

REV. :

1 : 1

DATE :

1-10-2013

DESCRIPTION :

Lock Cylinder

DRAWING NO. :

84, 85, 86, 87