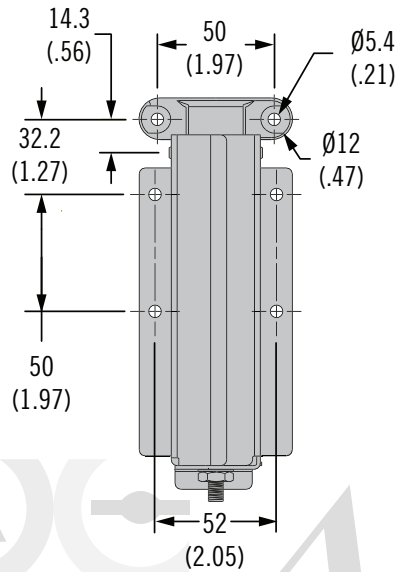
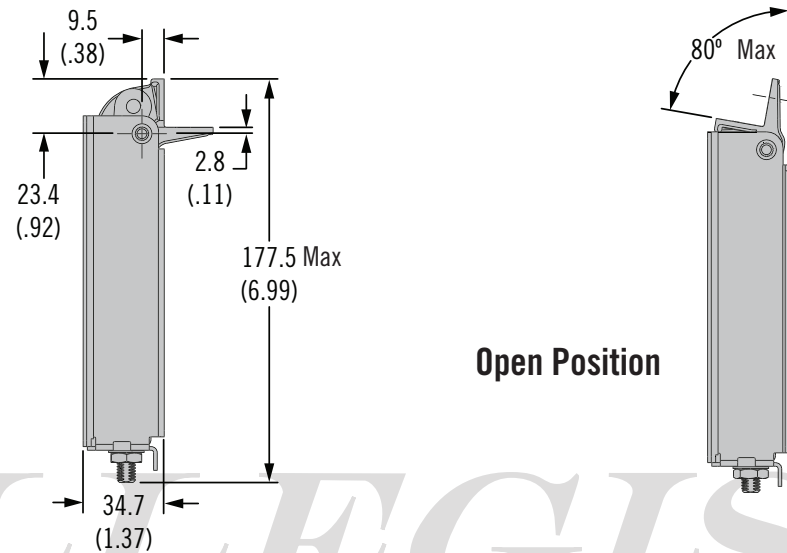


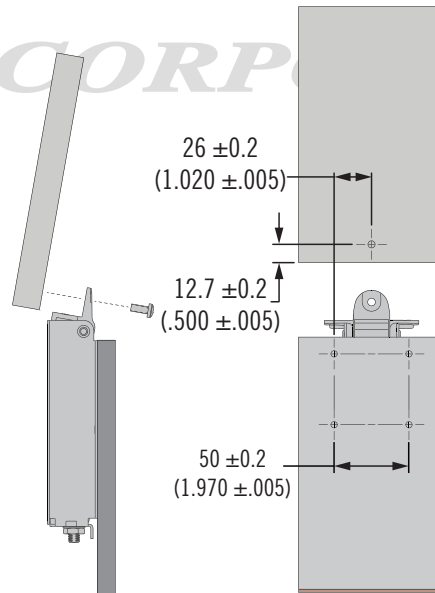
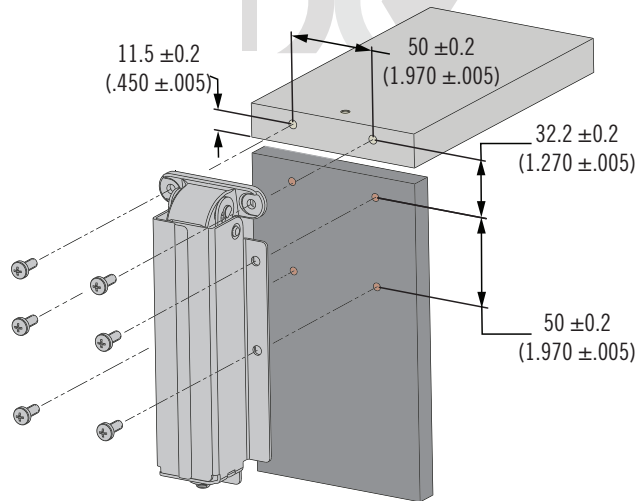
Closed Position



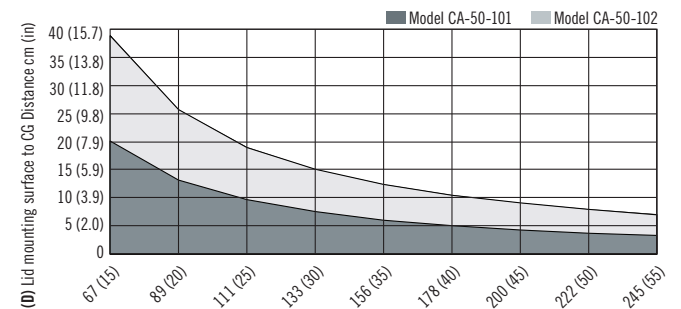
Open Position



ALLEGIS CORPORATION



Part Number	Max Lift Assistance Per Hinge
CA-50-101-50	9.4 (83)
CA-50-102-50	17.7 (157)



www.ALLEGISCORP.com
1-866-378-7550

MATERIAL / FINISH :

Steel with Black powder coat

REV. :

1 : 1

DATE :

10-11-2016

DESCRIPTION :

Hinge

DRAWING NO. :

CA-50-101-50 / CA-50-102-50