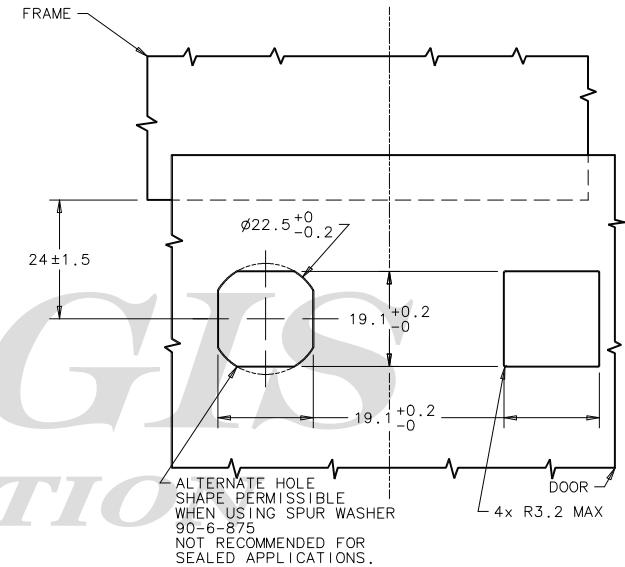
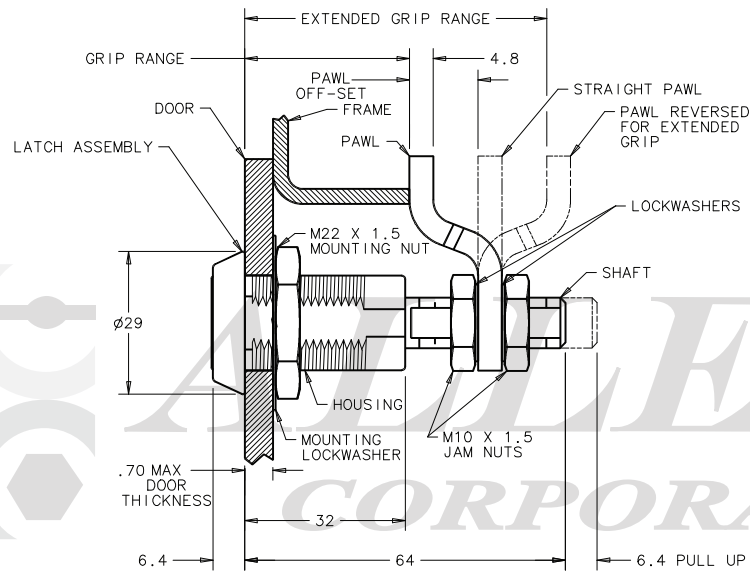
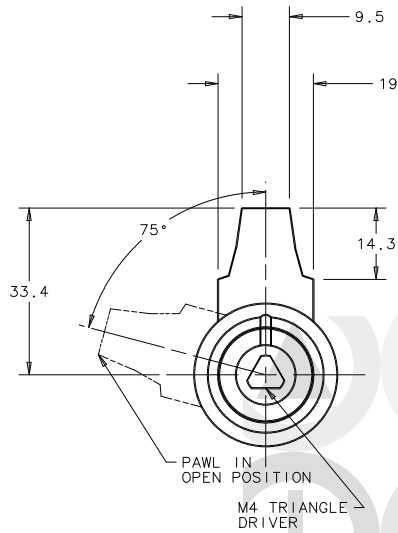


DOOR PREPARATION

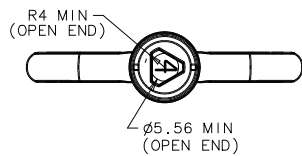
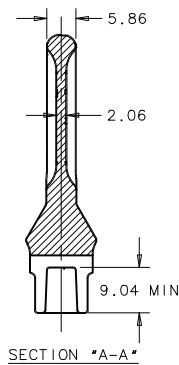
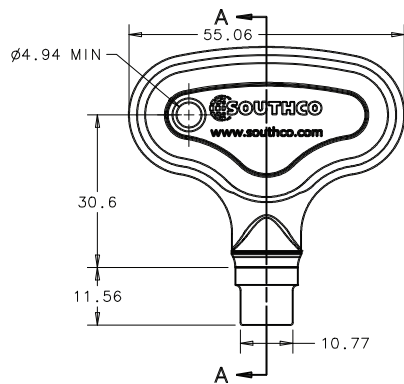
METHOD A

METHOD B

(NOT RECOMMENDED FOR GASKETED APPLICATIONS)



† TM - METAL COATINGS INTERNATIONAL, INC.



Part Number	Grip Range	Extended Grip Range
E3-13-15	11.4 - 27.2	66.3 - 76.2
E3-13-25	25.4 - 41.1	52.6 - 68.3
E3-13-35	38.9 - 54.6	NONE

<p>www.ALLEGISCORP.com 1-866-378-7550</p>		<p>MATERIAL / FINISH : Zinc Die-Cast w/ Black Powder Coat</p>	
<p>REV. : 1 : 1</p>	<p>DATE : 4-10-2018</p>	<p>DESCRIPTION : Vice Action Latch</p>	<p>DRAWING NO. : See Chart</p>