

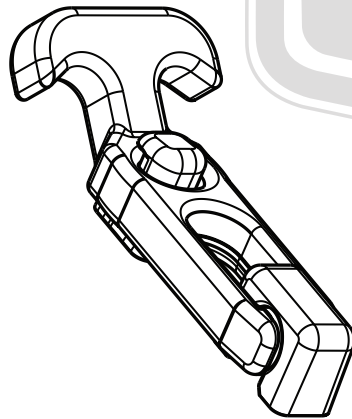
APPROVAL - CUSTOMER NAME & SIGNATURE

DATE

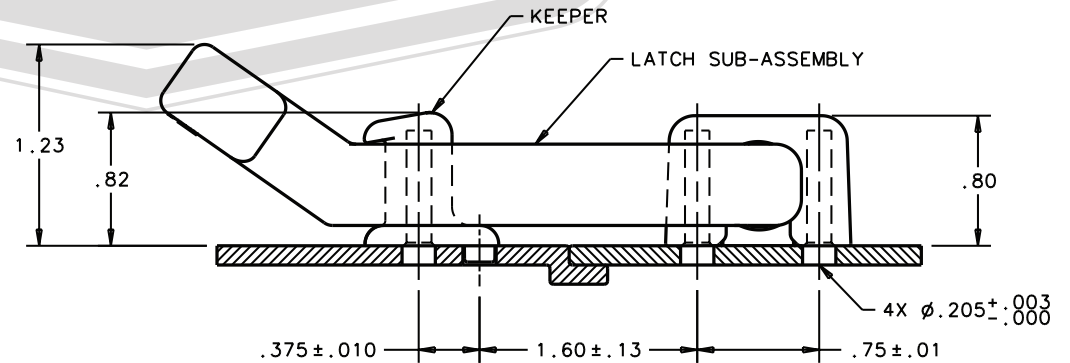
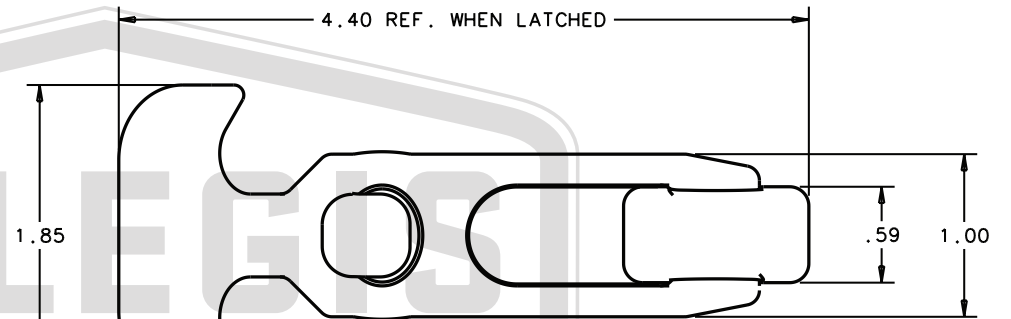
REV	DATE	DRAWN/CHKD	DESCRIPTION	PART NUMBER
A	12JAN93	KPL	PRN: S-1-03	F7-51
B	16AUG96	ALC	PRN: F7-41	
C	19OCT2002	AJH/DLH	PRN: P2002-0790	

NOTES:

- LATCH ASSEMBLY CONSISTS OF:
SUB-ASSEMBLY:
HANDLE - TPE, BLACK
BRACKET - GLASS REINFORCED NYLON, BLACK.
KEEPER - GLASS REINFORCED NYLON, BLACK
- LATCH SUB-ASSEMBLY, KEEPER, AND SCREWS SHIPPED SEPARATELY, BULK. FOR LATCHES PACKAGED ONE PER BAG, ADD -P TO PART NUMBER.
- MOUNT USING (3) 10-24 THREAD SCREWS (NOT SUPPLIED).
SCREW LENGTH = PANEL THICKNESS PLUS .50.



SCALE 3:4



ALLEGIS		1-866-378-7550
MATERIAL:	Nylon, Rubber	DRAWING NO. : F7-51
FINISH:	Natural	
REV.:	1:1	DATE: 5/29/2019