



NEW PRODUCT PROFILE:

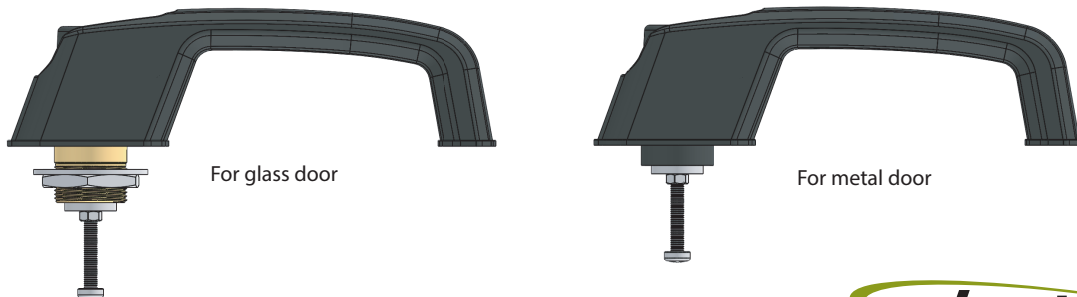
PUSH BUTTON HANDLE

THE NEWEST HANDLE FROM VECTOR™



FEATURED PRODUCT

The new **VECTOR™ PUSH BUTTON HANDLE** is a robust and ergonomic component designed for enclosure doors. Manufactured with durable high quality materials that hold up to tough outdoor environments. These handles are constructed to be mounted on either glass or sheet metal doors.



DESIGN EXPERTISE

We bring a holistic approach to designing access products. The design of this Vector™ handle not only guarantees a comfortable fit, but also proves to be structurally robust. The Vector™ Push Button Handle performs as a door mounted actuator in cases when the latch is located on the frame. The material is fiber glass reinforced PAGF30 and is intended to be used for applications where door thickness is limited. It is designed for secure lifting of large or heavy door applications in the transportation equipment space, but is very versatile. This Vector™ Push Button Handle offers solutions for many enclosures including:

- Emergency Vehicles
- Mobile Equipment
- Construction Equipment
- Agricultural Equipment
- Specialty Truck Applications
- Fabricated Metal Enclosures

WORLDWIDE ACCESS EXPERTS

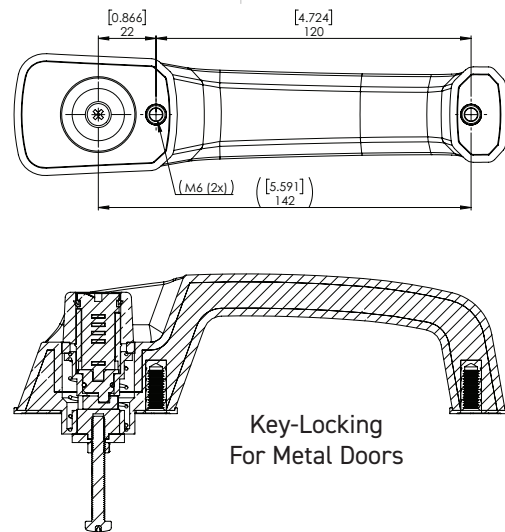
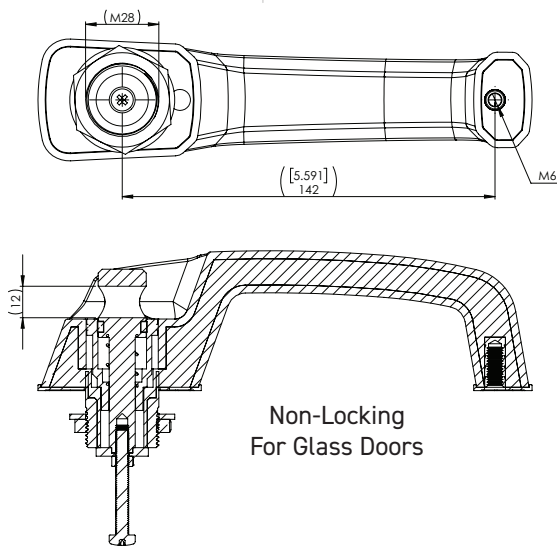
Allegis is the world expert in supplying access hardware that secures and protects enclosures for work and service vehicles, heavy equipment, HVAC, telecommunications and electrical cabinets, power generation and more. No one knows more about how to combine all of the right components — handles, latches, hinges, gaskets, and gas springs — to increase productivity, enhance ease of access, and reduce manufacturing and maintenance costs. Based in the U.S., Allegis works with manufacturers worldwide, from start-ups to Fortune 100 manufacturers to help them make their products better.

NEW PRODUCT PROFILE: PUSH BUTTON HANDLE

ALLEGIS' INDUSTRY EXPERTISE

For more than 50 years, Allegis engineers have been serving manufacturers in more than a dozen industries where gaining access is absolutely critical. Based on our experience, we understand exactly what manufacturers face in designing a product for their customers. We specialize in the following industries:

- HVAC Enclosures
- Construction Equipment
- Agriculture Equipment
- Enclosures and Storage Units
- Electrical Enclosures
- Telecommunications
- Power Generation
- Kiosks and Carts
- Mass Transportation (trucks, buses, RVs, etc.)
- Emergency Vehicles
- Powersports (snowmobiles, boats, ATVs, motorcycles, etc.)
- Work and Service Vehicles, Trailers, and Equipment



VECTOR™ PUSH BUTTON HANDLE

P/N	DOOR TYPE	LOCKING
2900-1100-00	Metal Door	Padlockable
2900-1200-00	Metal Door	Non-Locking
2900-1220-00	Metal Door	Key-Locking - DB250
2900-0200-00	Glass Door	Key-Locking - 455
* 2900-0100-00	Glass Door	Key-Locking - DB250
* 2900-0220-00	Glass Door	Padlockable

* Non-Stock handles

CREATING A BETTER END PRODUCT

Ready to begin your next project? For answers about our Vector, Klimaflex, Vision systems or any other access components, contact us at AccessBetterThinking@allegiscorp.com.

TO GAIN ACCESS TO THE BEST PEOPLE IN ACCESS COMPONENTS

— ALLEGISCORP.COM • 866.378.7550 —

OR EMAIL US AT ACCESSBETTERTHINKING@ALLEGISCORP.COM

